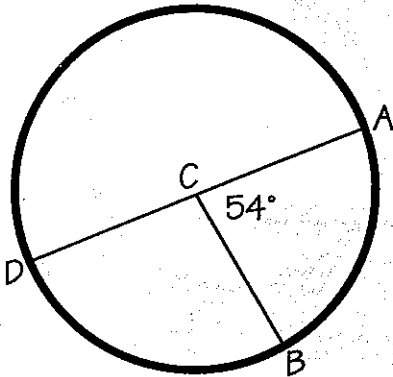


What do you call a teacher who loses control over her pupils?

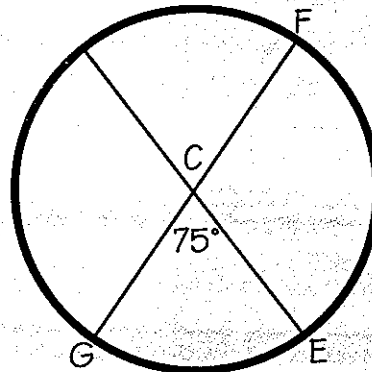
9.3

Find the missing angle or arc measures. To figure out the joke, place the letter of each problem above the answer on the line(s) below. Some blanks will go unfilled.

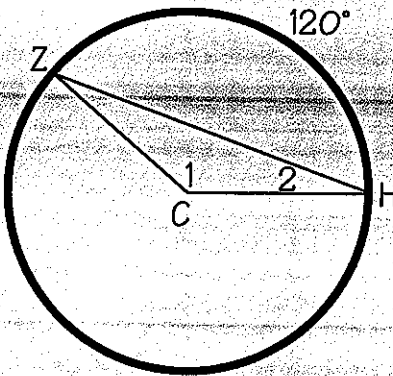
C is the center of the circles



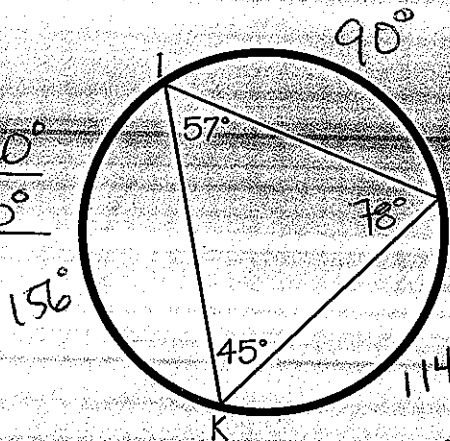
S: $m\widehat{AB} = 54^\circ$
 E: $m\widehat{BD} = 126^\circ$



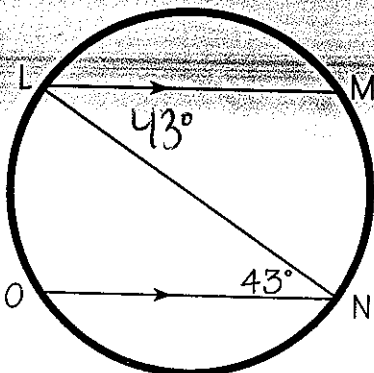
A: $m\widehat{GE} = 75^\circ$
 H: $m\widehat{EF} = 105^\circ$



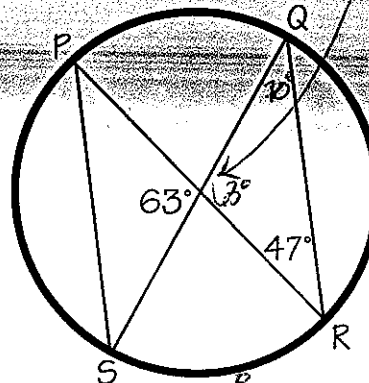
R: $m\angle 1 = 120^\circ$
 E: $m\angle 2 = 30^\circ$



E: $m\widehat{IJ} = 90^\circ$
 D: $m\widehat{JK} = 114^\circ$
 C: $m\widehat{IK} = 156^\circ$



O: $m\widehat{MN} = 86^\circ$
 T: $m\widehat{ML} = 94^\circ$



Y: $m\angle Q = 70^\circ$
 C: $m\widehat{SR} = 140^\circ$

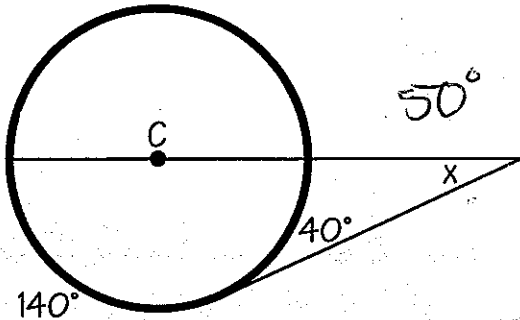
LN is a diameter

CROSS EYED
 140° 120° 86° 54° 54° 20° 90° 70° 126° 114° 10°
 TEACHER
 94° 90° 75° 156° 105° 30° 120° 84°

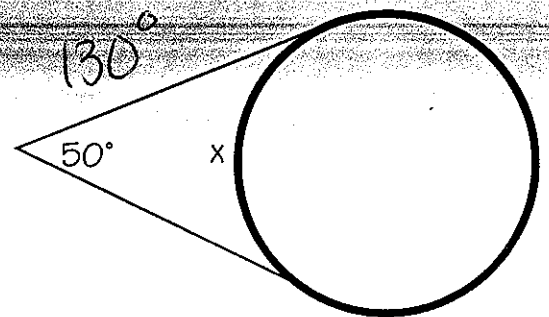
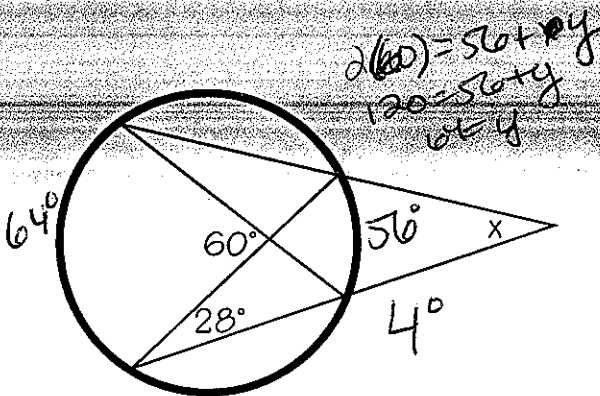
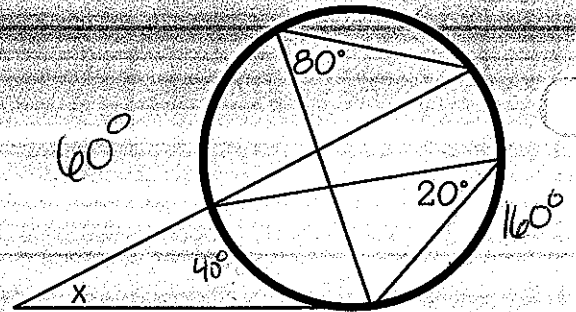
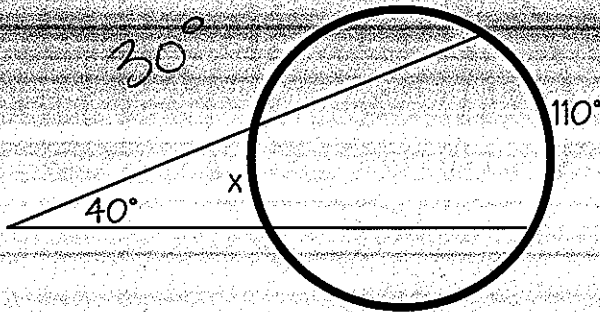
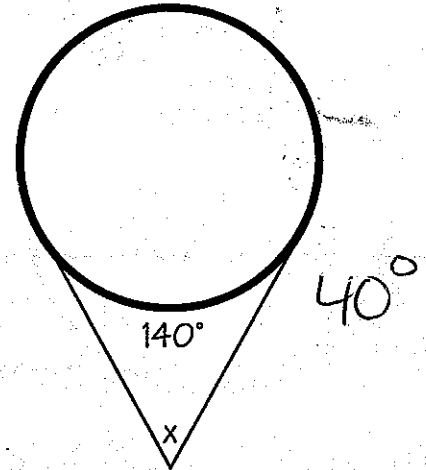
Play on Words: "What do trees do in the spring?"

94

Find the missing angle and arc measures. Cross out the letters that match your answers. The remaining letters will allow you to figure out the joke.



C is the center of the circle.



R ~~110~~ E ~~15~~ L I ~~50~~ E ~~130~~ ~~60~~ F ~~100~~

ANSWER: Relief